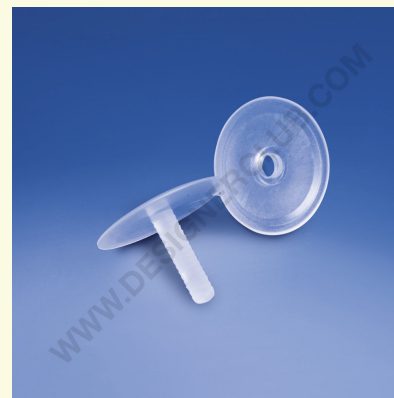
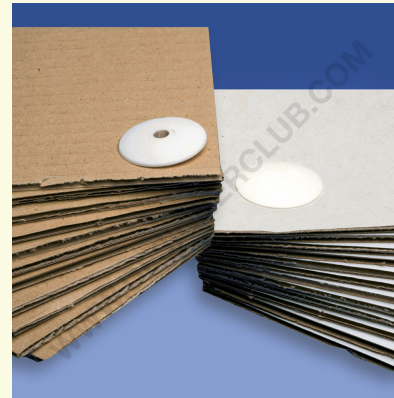
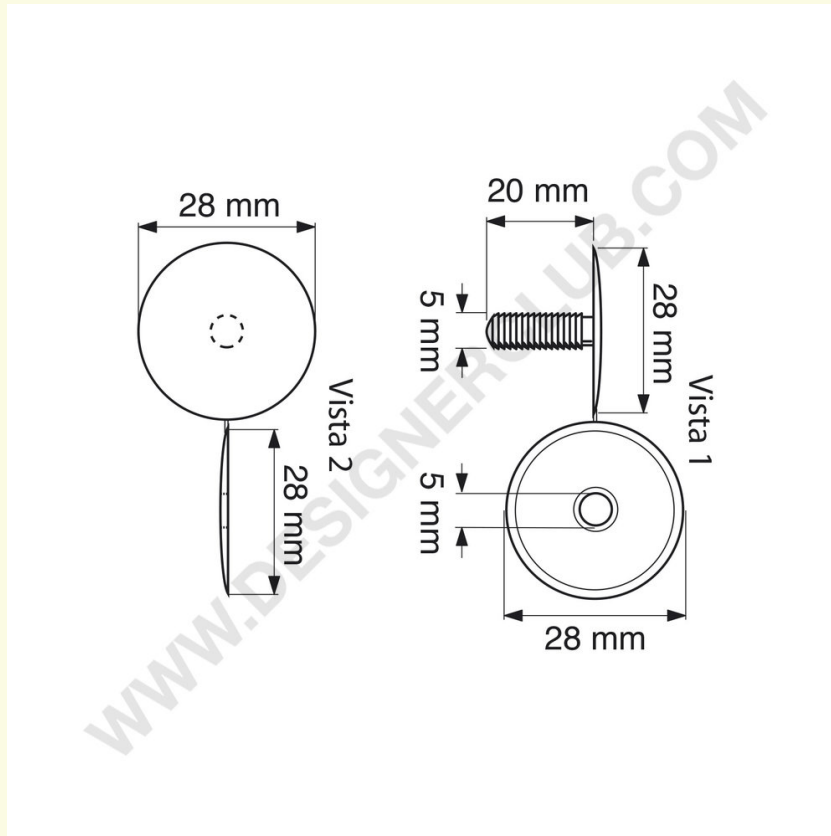


# Datasheet

**REF: 112 660**

**Join automatic buttons head mm. 28 (njab 28/15) clear**

Automatic button head mm. 28, to assemble mm. 0 to 15, clear. The female is flat on the inner part to assemble till 0 mm. Male and female are delivered sightly connected.



+39 0332 455 360      [www.designerclub.com](http://www.designerclub.com)      [commerciale@designerclub.com](mailto:commerciale@designerclub.com)  
Designer Club S.R.L. Via 2 Giugno 28, 21022, Azzate (VA) , Italy

Designer Club reserves the right to change specifications and dimensions of products without notice, except for errors or omissions. Copyright Designer Club s.r.l. 2023.