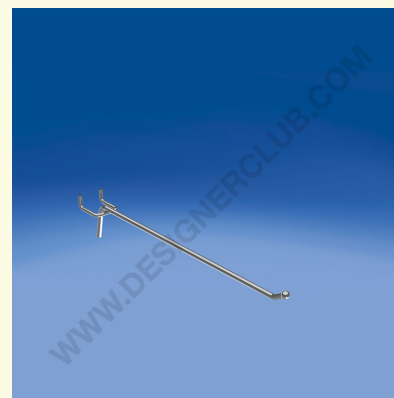
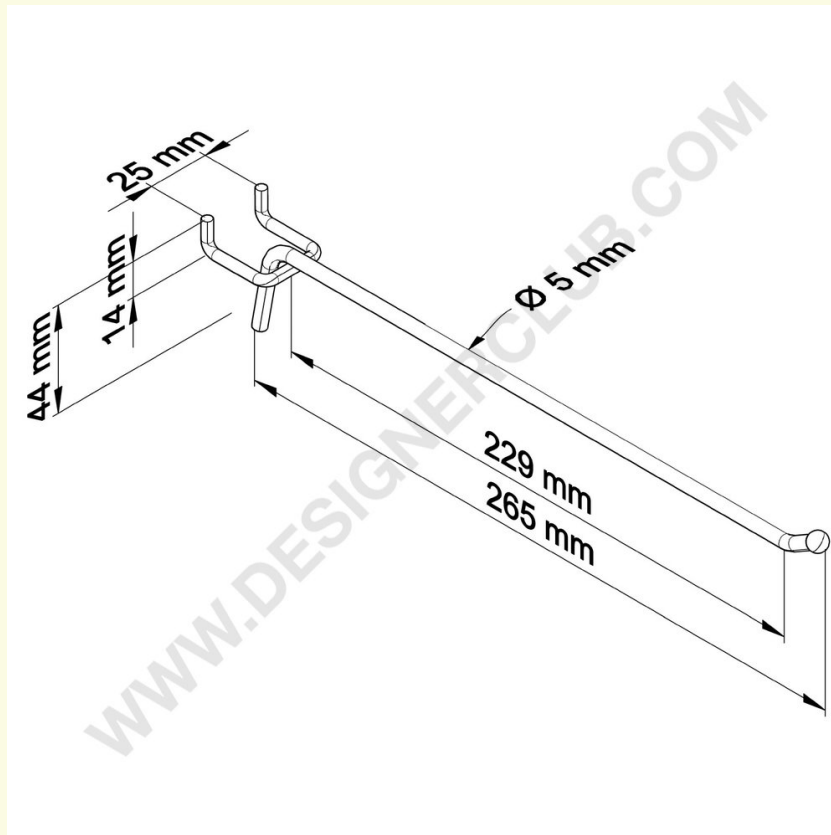


Datasheet

REF: 121 791
Simple metal prong for slatwall mm. 265

Simple metal prong for slatwall.
Length mm. 265.
25 mm. hole centres.



+39 0332 455 360 www.designerclub.com commerciale@designerclub.com
Designer Club S.R.L. Via 2 Giugno 28, 21022, Azzate (VA) , Italy