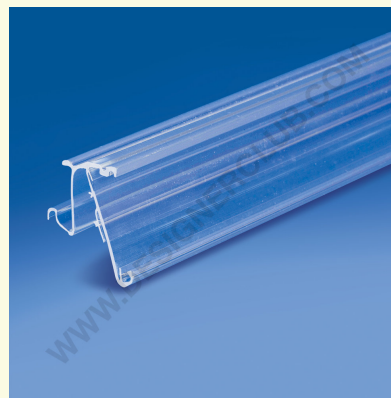
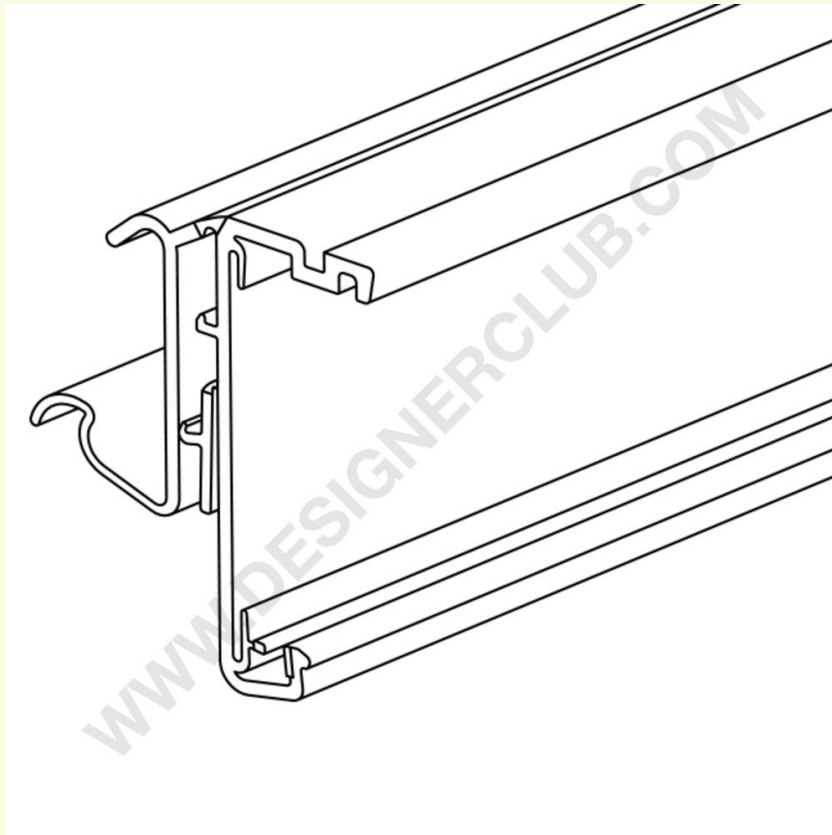


## Datasheet

**REF: 352 120**

**Profile for Cefla – Kider KS – Modern Expo shelves, length 977 mm**

- Profile for Cefla – Kider KS – Modern Expo, length 977 mm.
- \*Compatible with Pricer Promoline, Continuum, Dot Matrix and Smartag electronic labels.



+39 0332 455 360      [www.designerclub.com](http://www.designerclub.com)      [commerciale@designerclub.com](mailto:commerciale@designerclub.com)  
Designer Club S.R.L. Via 2 Giugno 28, 21022, Azzate (VA) , Italy