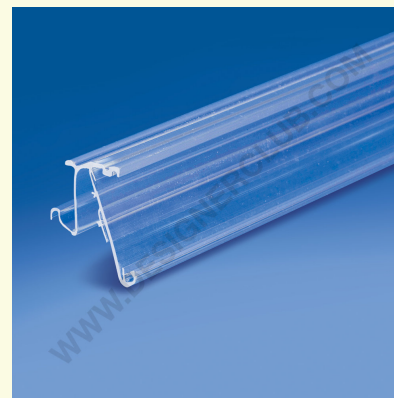
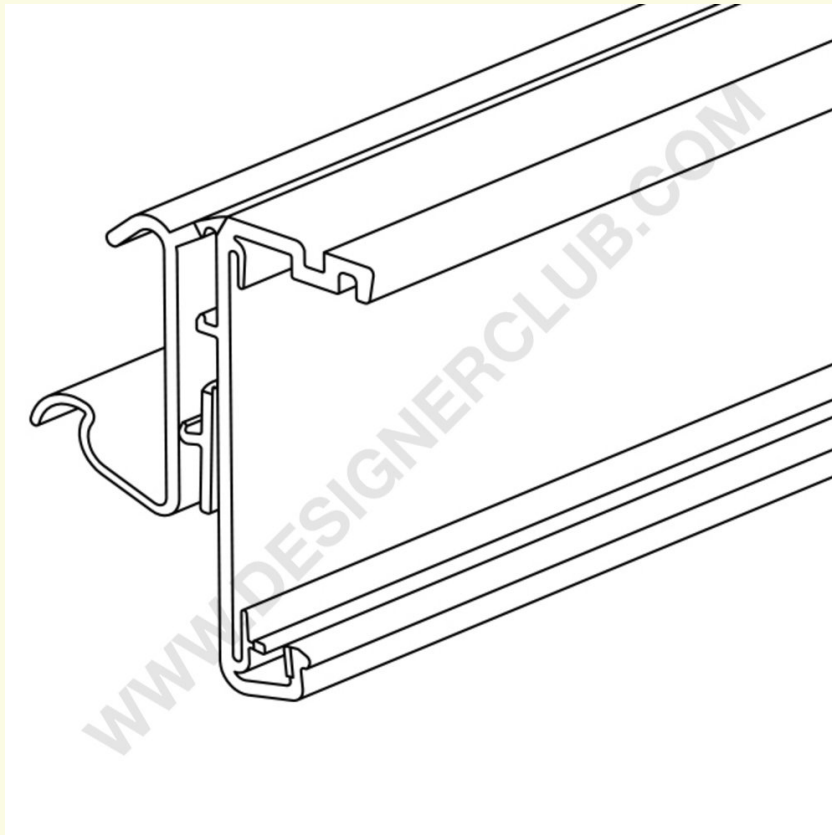


Datasheet

REF: 352 121

Profile for Cefla – Kider KS – Modern Expo shelves, length 1316 mm

- Profile for Cefla – Kider KS – Modern Expo, length 1316 mm.
- *Compatible with Pricer Promoline, Continuum, Dot Matrix and Smartag electronic labels.



+39 0332 455 360 www.designerclub.com commerciale@designerclub.com
Designer Club S.R.L. Via 2 Giugno 28, 21022, Azzate (VA) , Italy