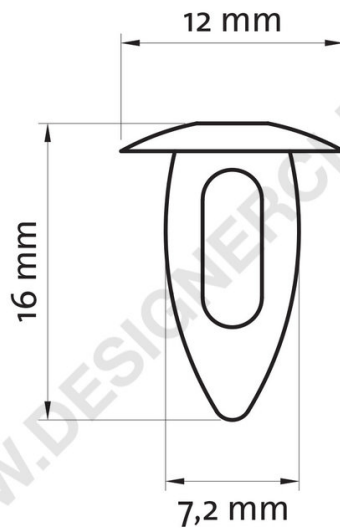


## Datasheet

**REF: 116 185**

**Push clip to assemble mm. 0 to mm. 6,35**

Plastic transparent clip, reusable, head mm. 12 to assemble mm. 0 to mm. 6,35.



+39 0332 455 360      [www.designerclub.com](http://www.designerclub.com)      [commerciale@designerclub.com](mailto:commerciale@designerclub.com)  
Designer Club S.R.L. Via 2 Giugno 28, 21022, Azzate (VA) , Italy