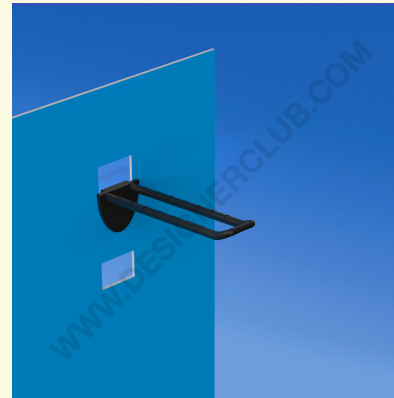
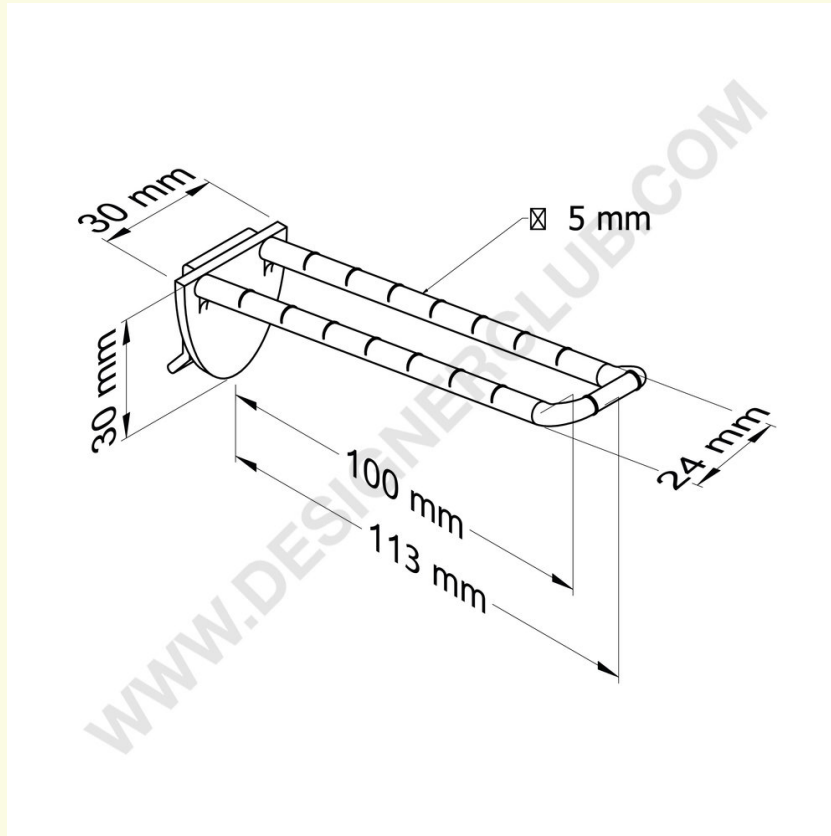


# Datasheet

**REF: 142 271**

**Universal double plastic prong mm. 100 black with rounded front for label holders**

Universal double prong black mm. 100 with rounded front for label holders



+39 0332 455 360      [www.designerclub.com](http://www.designerclub.com)      [commerciale@designerclub.com](mailto:commerciale@designerclub.com)  
Designer Club S.R.L. Via 2 Giugno 28, 21022, Azzate (VA) , Italy