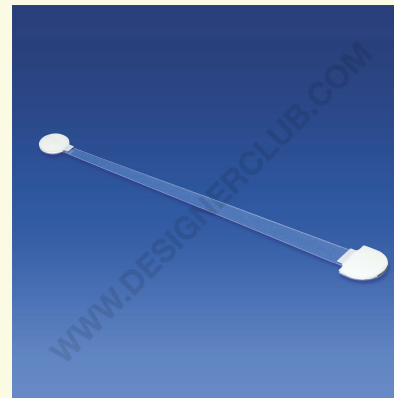
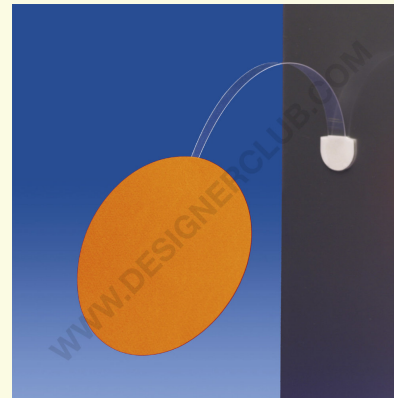
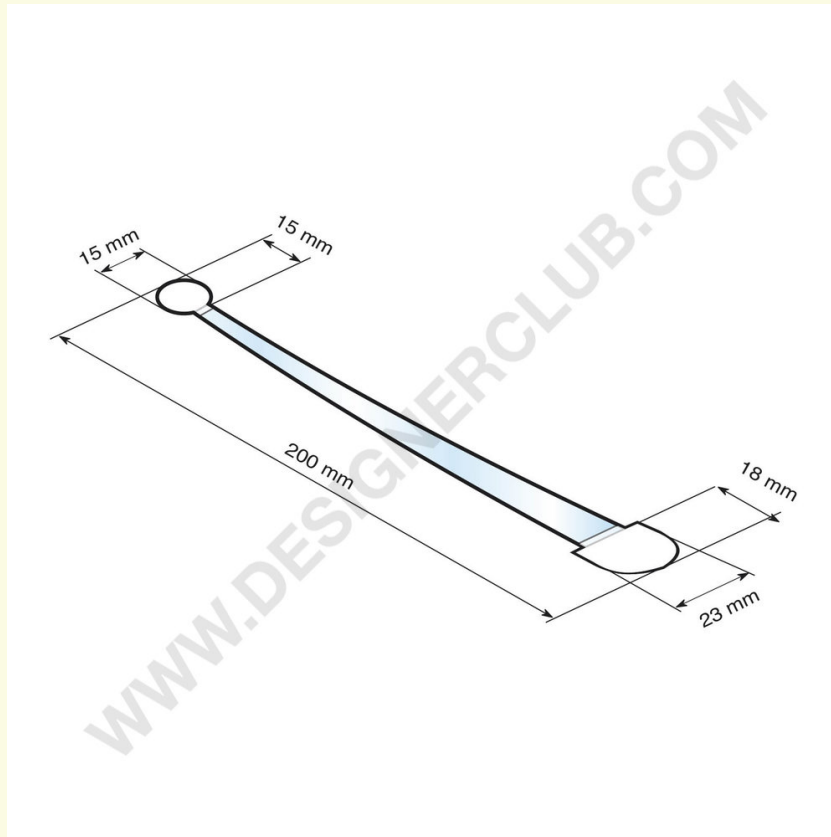


Datasheet

REF: 112 077
Shaped shelf wobblers 200 PET ♻️

With foam tape, 200 mm. long Easy peel system.
PET ♻️.



+39 0332 455 360 www.designerclub.com commerciale@designerclub.com
Designer Club S.R.L. Via 2 Giugno 28, 21022, Azzate (VA), Italy