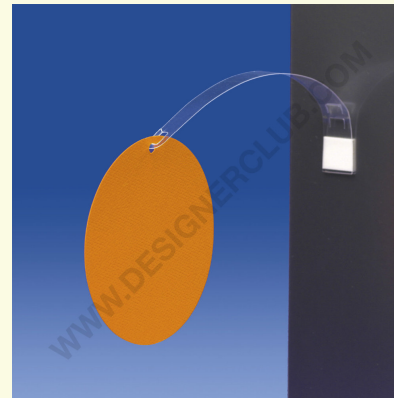
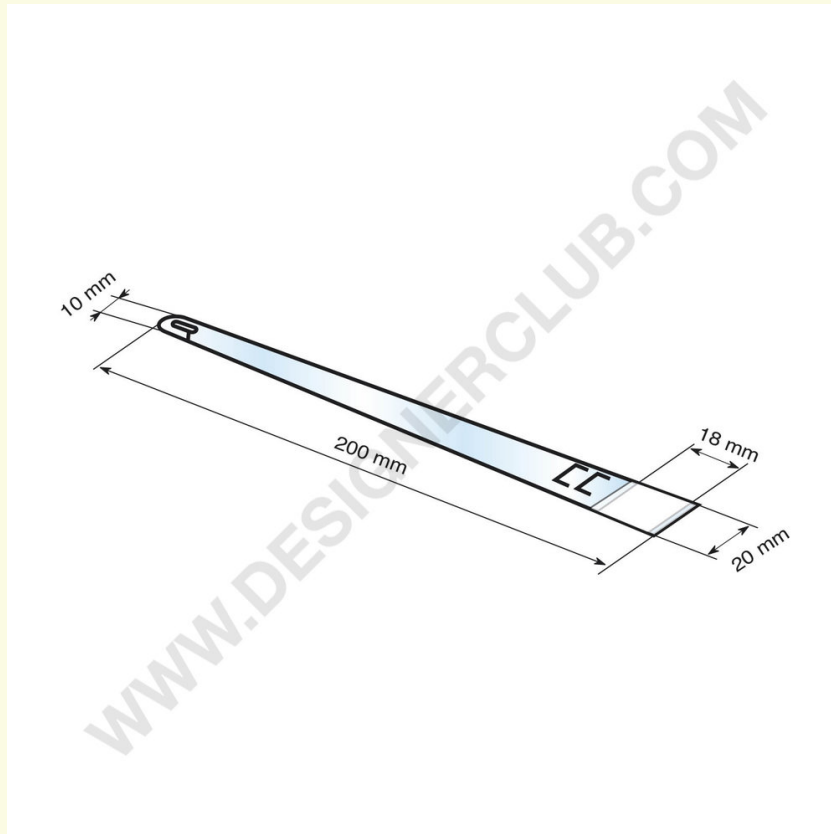


## Gegevensblad

**REF: 112 076**  
Trasversale kanaalwobbler PET ♻️

Met foam tape, 200 mm. lang Easy peel systeem.

PET ♻️.



+39 0332 455 360      [www.designerclub.com](http://www.designerclub.com)      [commerciale@designerclub.com](mailto:commerciale@designerclub.com)  
Designer Club S.R.L. Via 2 Giugno 28, 21022, Azzate (VA) , Italy