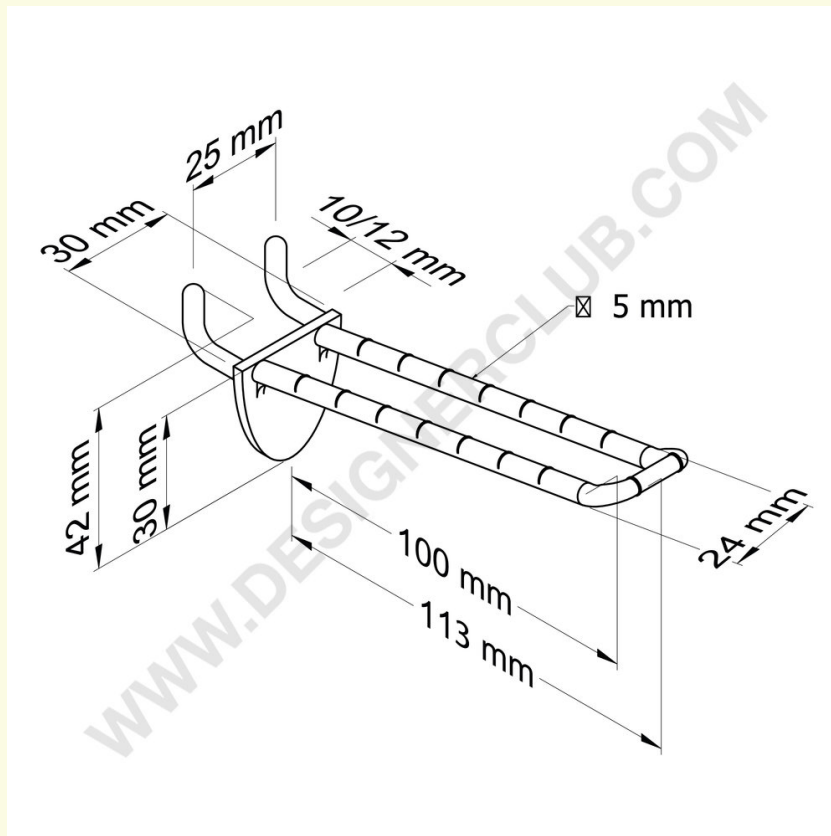


Datasheet

REF: 144 621

Dwustronny przezroczysty dla płyt o strukturze plastra miodu o grubości 10-12 mm, 100 mm z zaokrąglonym frontem dla uchwytów na etykiety

Double prong transparent for honeycomb panels 10-12 mm. thick, 100 mm with rounded front for label holders



+39 0332 455 360 www.designerclub.com commerciale@designerclub.com
Designer Club S.R.L. Via 2 Giugno 28, 21022, Azzate (VA), Italy