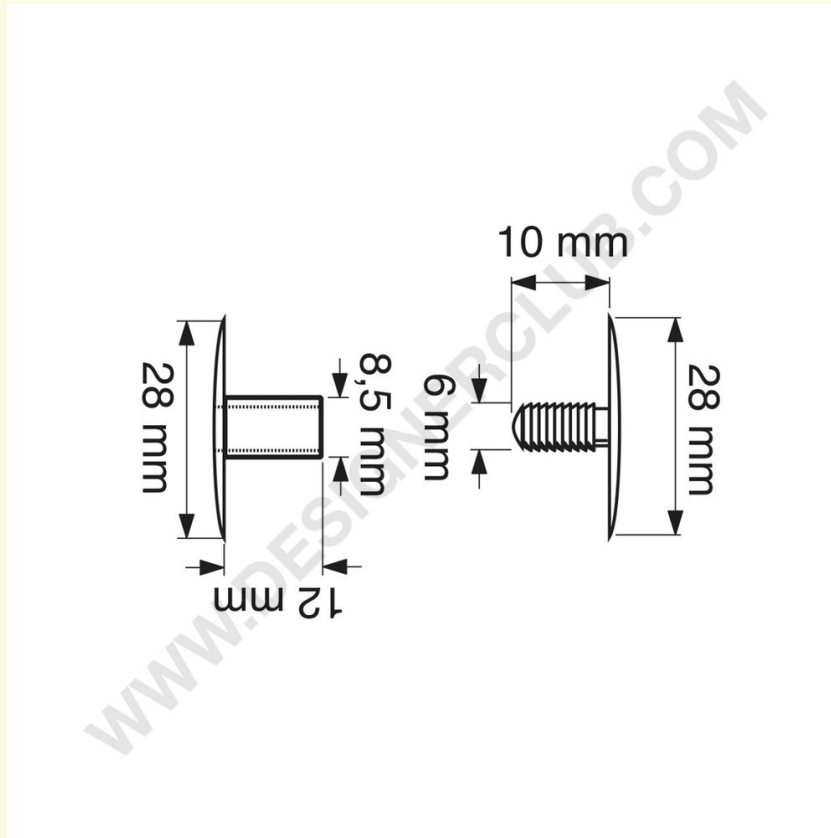


Datenblatt

REF: 113 500
Lab 28/11 - lang weiblich transparent

Automatikknopf Durchm. mm. 28, zu montieren mm. 12 bis 17. Farbe transparent.



+39 0332 455 360 www.designerclub.com commerciale@designerclub.com
Designer Club S.R.L. Via 2 Giugno 28, 21022, Azzate (VA) , Italy