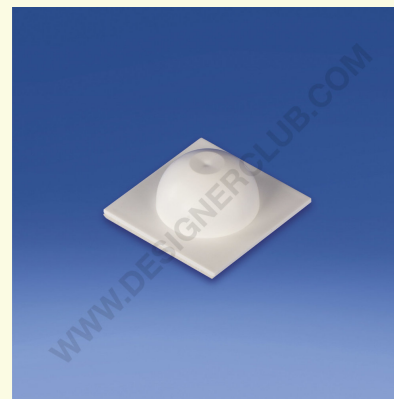
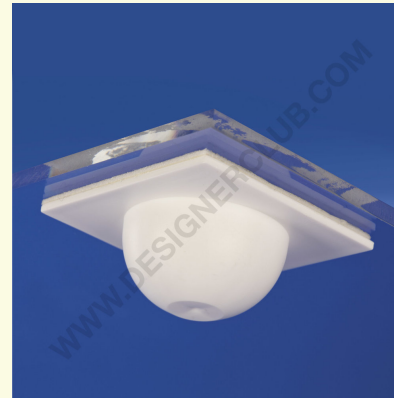
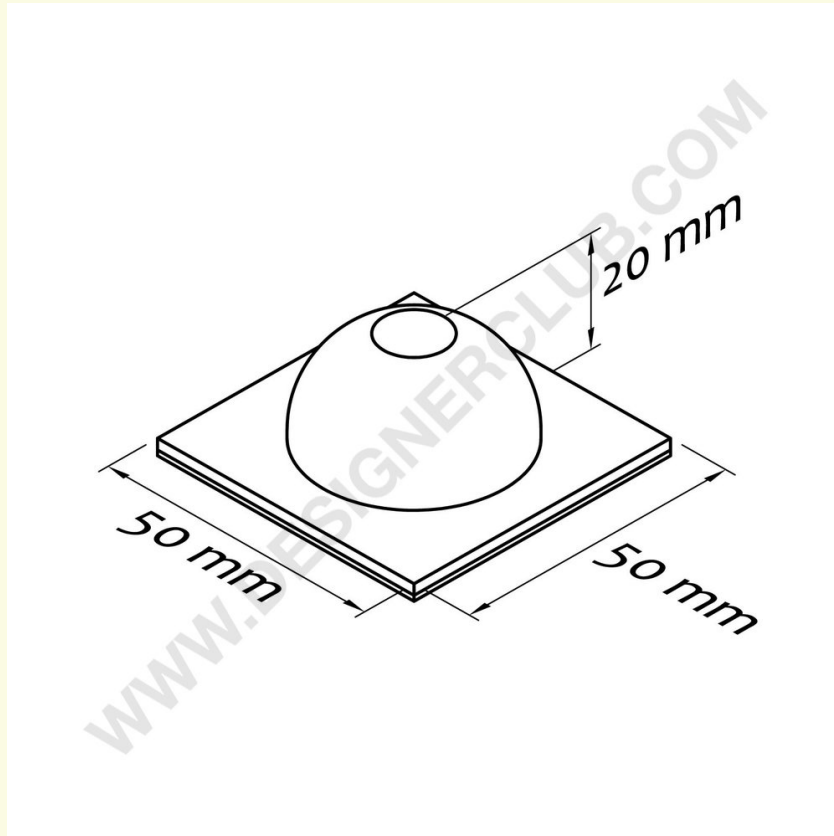


# Datasheet

**REF: 111 831**  
**White adhesive feet**

White plastic feet with adhesive to protect and support the free-standing display.



+39 0332 455 360      [www.designerclub.com](http://www.designerclub.com)      [commerciale@designerclub.com](mailto:commerciale@designerclub.com)  
Designer Club S.R.L. Via 2 Giugno 28, 21022, Azzate (VA) , Italy