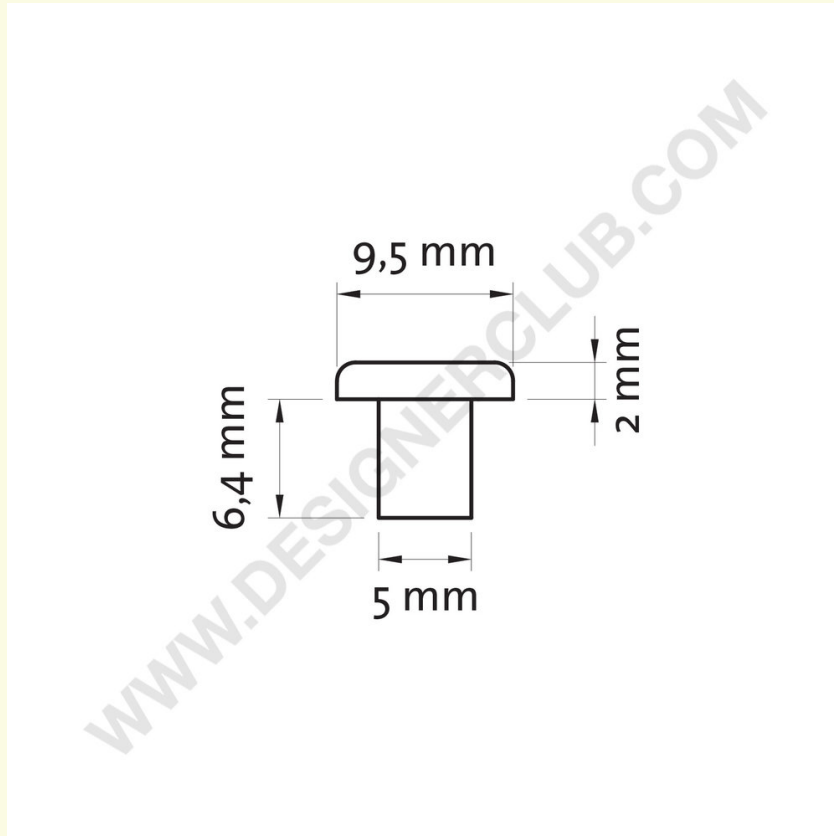


# Datasheet

**REF: 112 933**  
**Anti-slip cap**

Transparent anti-slip cap to use on counter standing displays.



+39 0332 455 360      [www.designerclub.com](http://www.designerclub.com)      [commerciale@designerclub.com](mailto:commerciale@designerclub.com)  
Designer Club S.R.L. Via 2 Giugno 28, 21022, Azzate (VA) , Italy