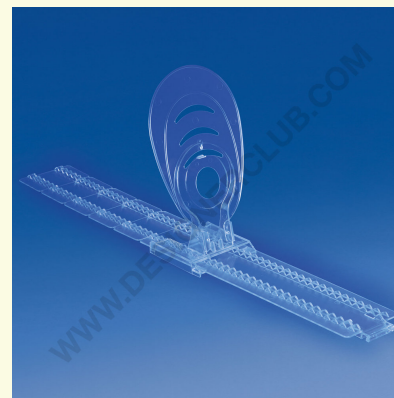
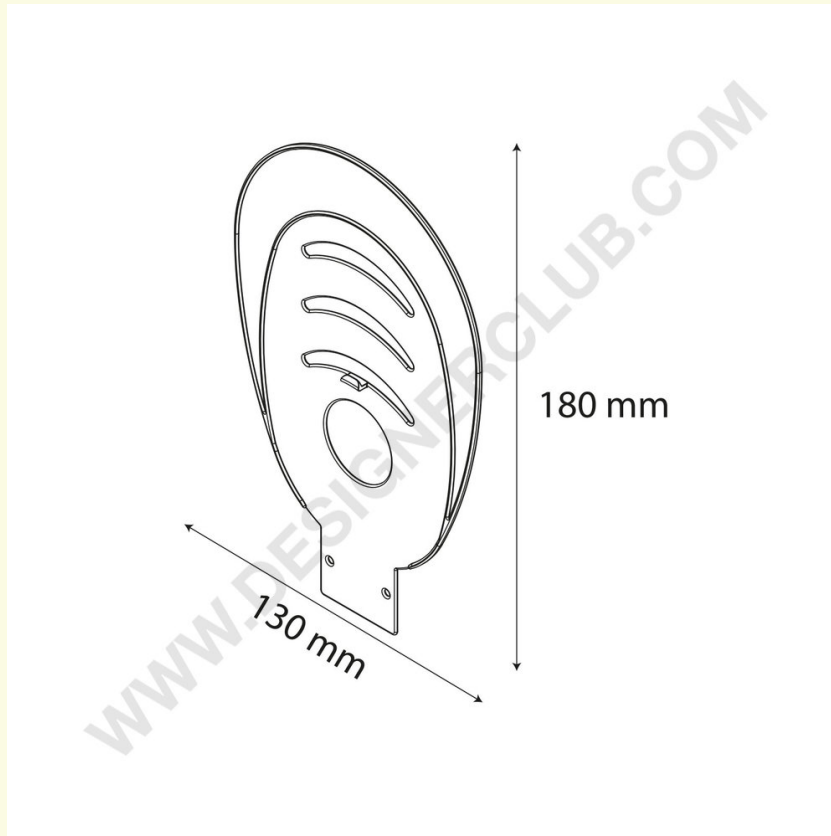


# Datasheet

**REF: 351 261**  
**Back plate for breakable stock pusher system**

Back plate for breakable stock pusher system Ref. 351 263. Perfect for bigger products. In PET. ♻️



+39 0332 455 360      [www.designerclub.com](http://www.designerclub.com)      [commerciale@designerclub.com](mailto:commerciale@designerclub.com)  
Designer Club S.R.L. Via 2 Giugno 28, 21022, Azzate (VA), Italy