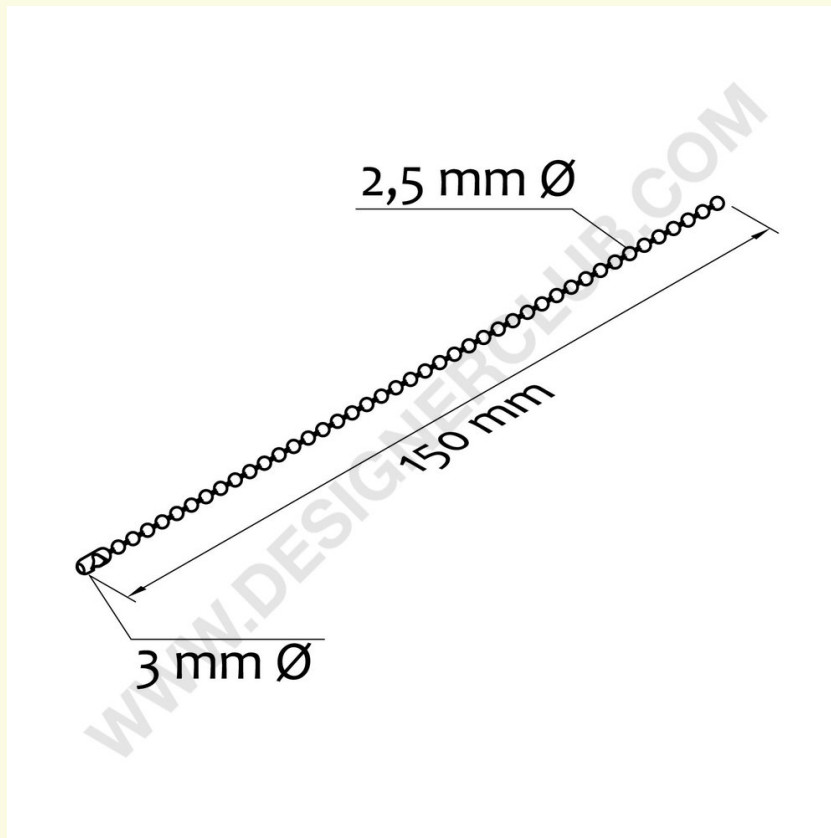


Datasheet

REF: 414 714
Beaded chain mm. 150

Nickel finish beaded chain, diameter 2,5 mm., length 150 mm., with clasp.
Available in custom sizes.



+39 0332 455 360 www.designerclub.com commerciale@designerclub.com
Designer Club S.R.L. Via 2 Giugno 28, 21022, Azzate (VA), Italy