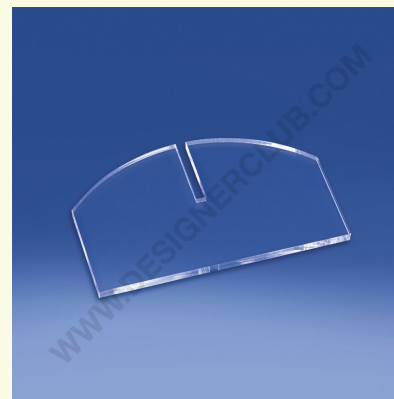
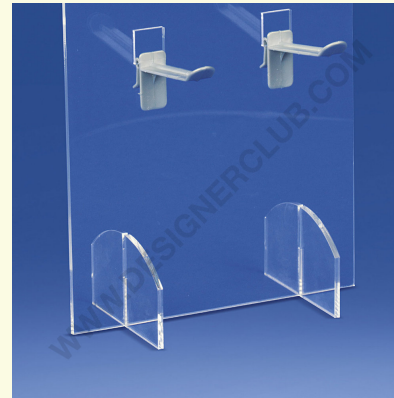
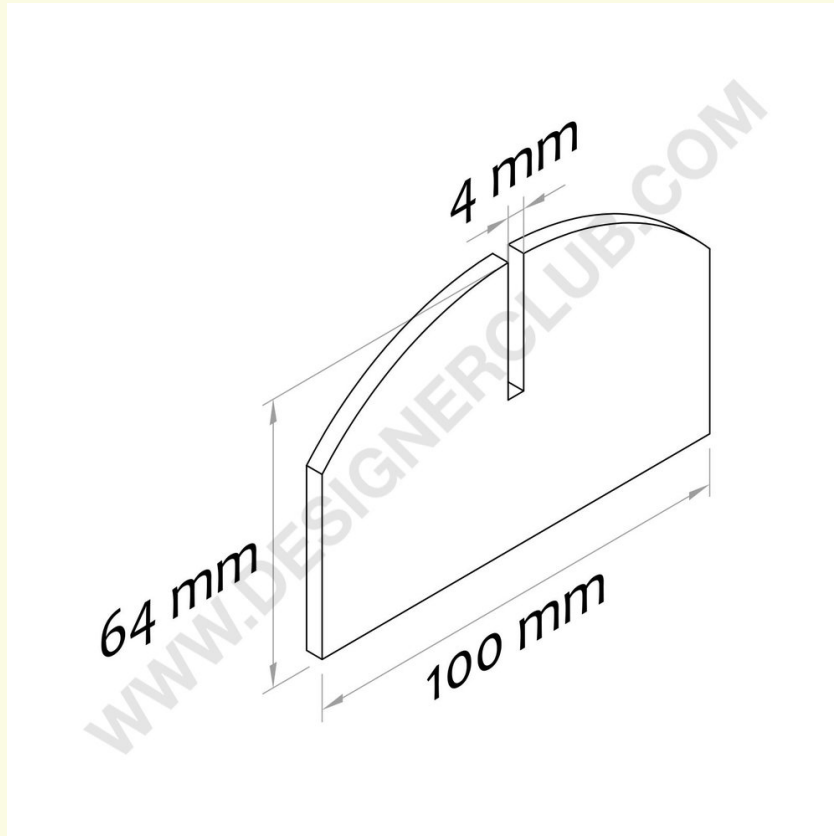


Datasheet

REF: 111 833
Clear plexiglas foot for display

Clear plexiglas foot for messages mm. 4 thickness. Dimensions on request.



+39 0332 455 360 www.designerclub.com commerciale@designerclub.com
Designer Club S.R.L. Via 2 Giugno 28, 21022, Azzate (VA) , Italy