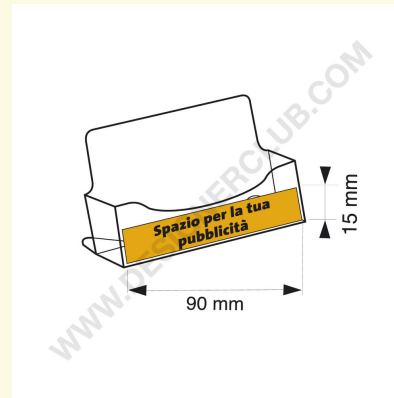
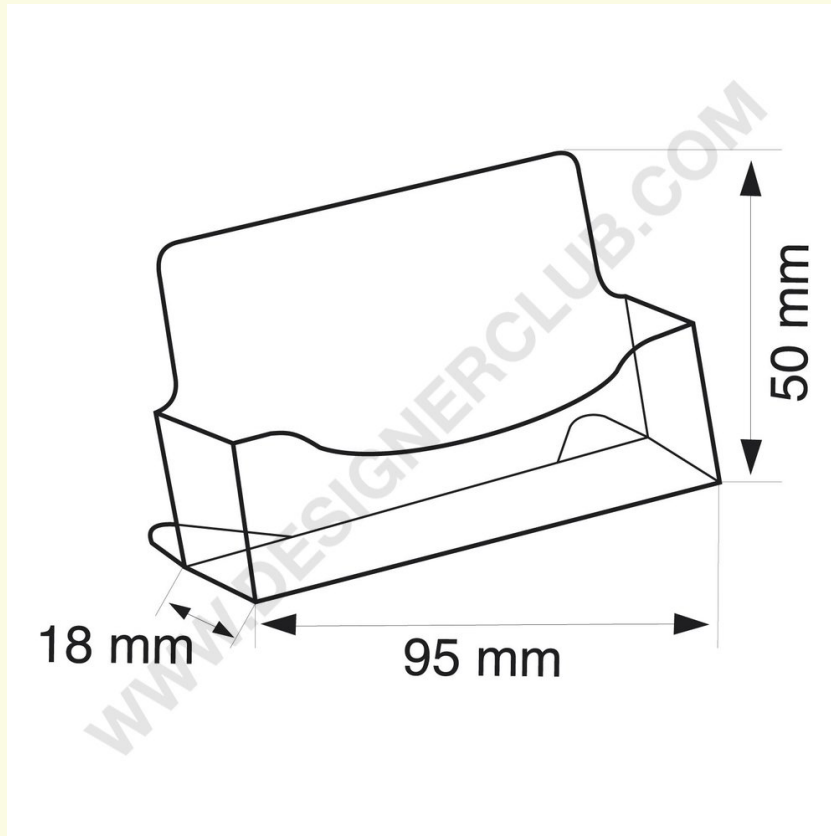


Datasheet

REF: 112 920

Horizontal business card holder with feet for counter

Horizontal counter business card holder, transparent.
Usable dimension mm. 95 x 18.



+39 0332 455 360 www.designerclub.com commerciale@designerclub.com
Designer Club S.R.L. Via 2 Giugno 28, 21022, Azzate (VA), Italy