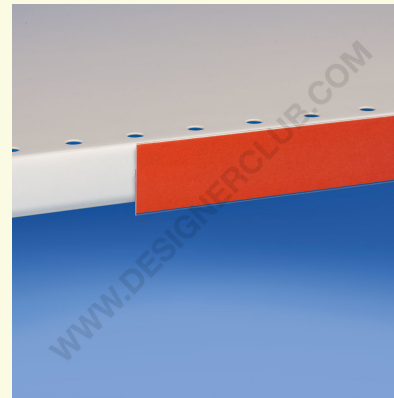
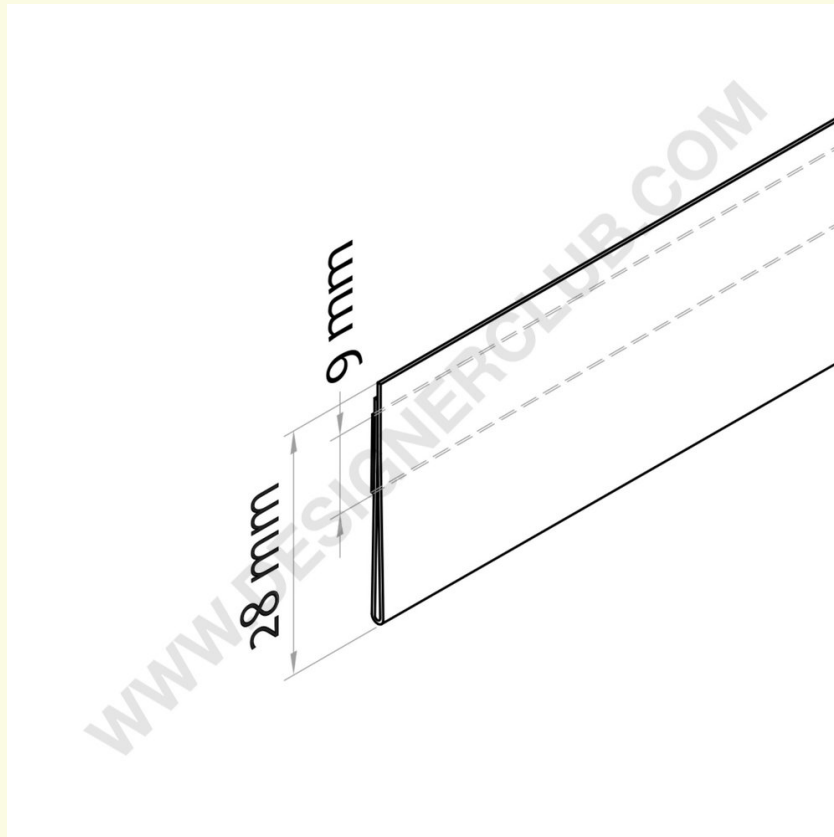


Datasheet

REF: 350 028

Flat adhesive scanner rail mm. 28 x 1000 antiglare pvc

Antiglare pvc data strip with clear back-tape. Fits label height mm. 28, length mm. 1000.



+39 0332 455 360 www.designerclub.com commerciale@designerclub.com
Designer Club S.R.L. Via 2 Giugno 28, 21022, Azzate (VA) , Italy