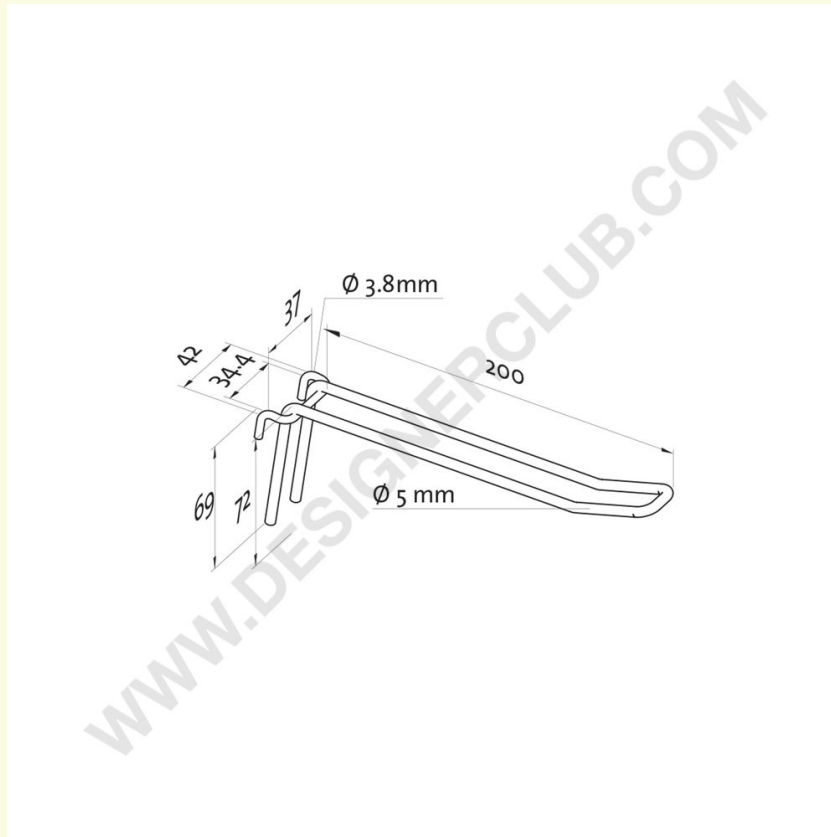


# Datasheet

**REF: 121 750**  
**Double prong for grid m. 200**

Double metal prong for grid, length mm. 200.  
Centre - to - centre distance mm. 37.



+39 0332 455 360      [www.designerclub.com](http://www.designerclub.com)      [commerciale@designerclub.com](mailto:commerciale@designerclub.com)  
Designer Club S.R.L. Via 2 Giugno 28, 21022, Azzate (VA) , Italy