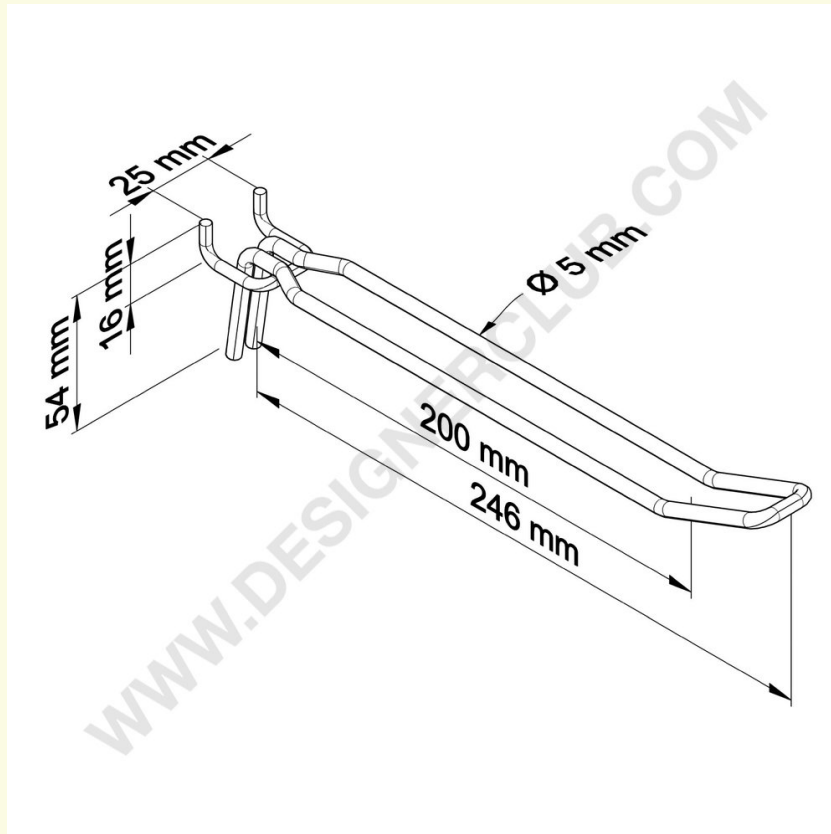


# Datasheet

**REF: 121 781**  
**Double metal prong for slatwall mm. 250**

Double metal prong for slatwall.  
Lenght mm. 250.  
25 mm. hole centres.



+39 0332 455 360      [www.designerclub.com](http://www.designerclub.com)      [commerciale@designerclub.com](mailto:commerciale@designerclub.com)  
Designer Club S.R.L. Via 2 Giugno 28, 21022, Azzate (VA) , Italy