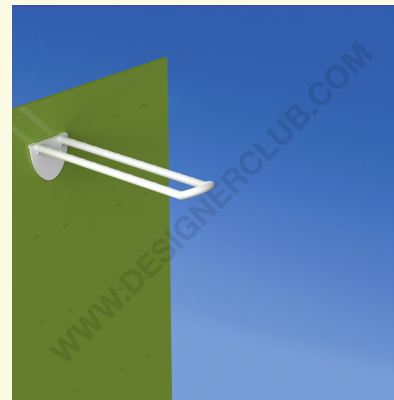
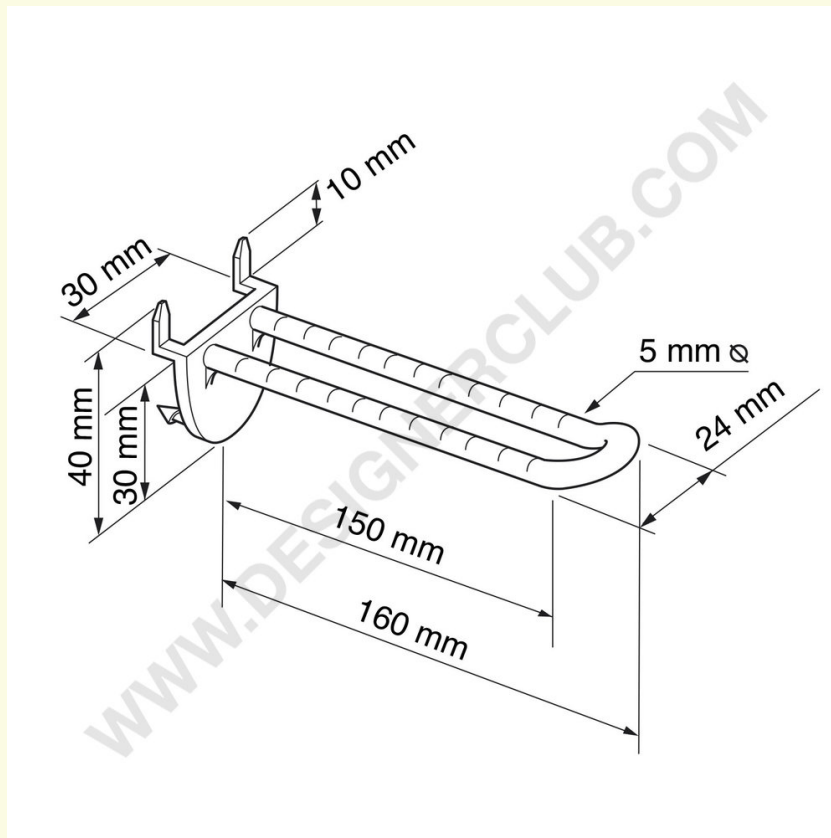


# Datasheet

**REF: 111 772**  
**Double plastic prong white with automatic hook mm. 150**

Double prong white with automatic hook 150 mm.  
Black color: ref. 111 795.  
Transparent color: ref. 113 139.

Boxes of 800 pieces.



**Designer Club S.R.L. Via 2 Giugno 28, 21022, Azzate (VA) , Italy**

**Designer Club reserves the right to change specifications and dimensions of products without notice, except for errors or omissions. Copyright Designer Club s.r.l. 2023.**