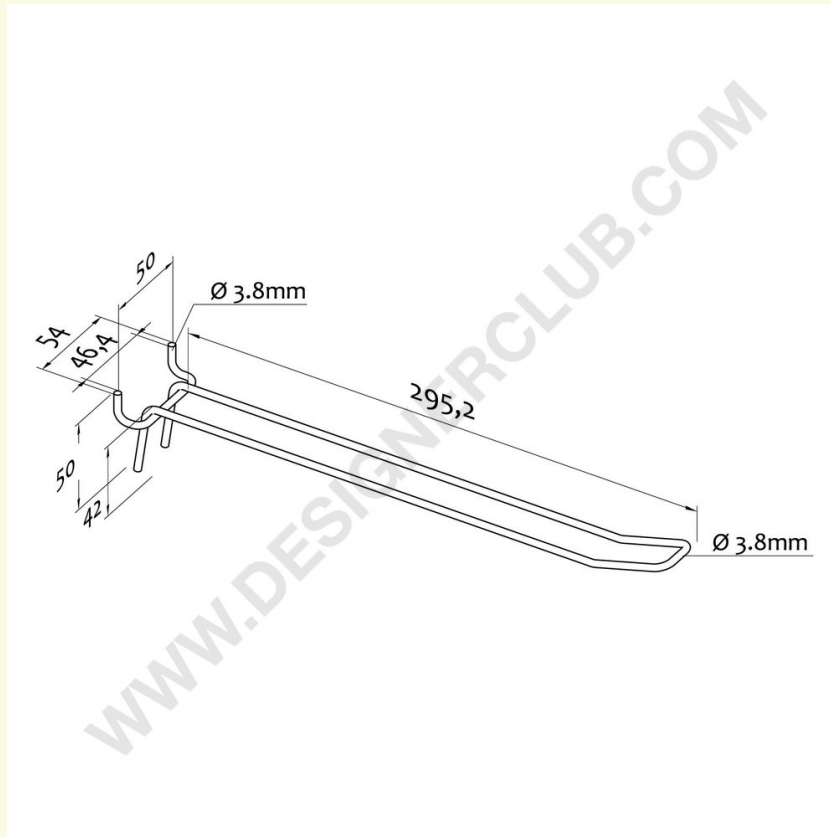


Datasheet

REF: 111 730
Double prong bull horns hook mm. 300

Double metal prong bull horns hook for pegboard.
Lenght mm. 300 - mm. 50 hole centres.



+39 0332 455 360 www.designerclub.com commerciale@designerclub.com
Designer Club S.R.L. Via 2 Giugno 28, 21022, Azzate (VA) , Italy