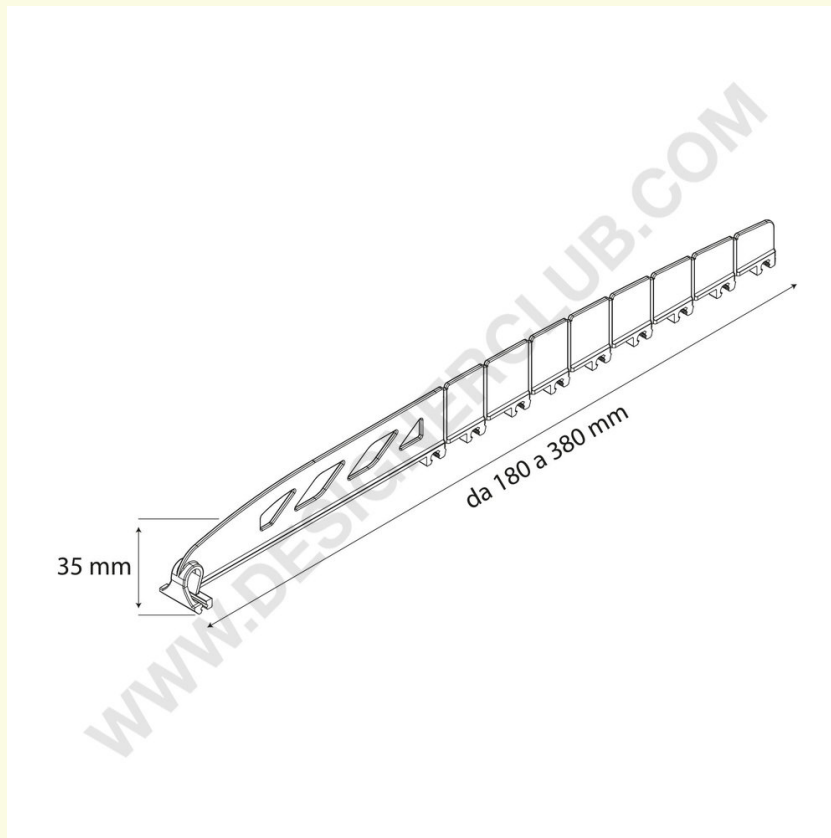


Datasheet

REF: 340 230

Breakable extra small divider height mm. 35

EXTRA SMALL breakable divider every 25 mm, lenght from mm. 180 to 380. Height mm. 35.
Perfect for sharing extra-small packages. Transparent.



+39 0332 455 360 www.designerclub.com commerciale@designerclub.com
Designer Club S.R.L. Via 2 Giugno 28, 21022, Azzate (VA) , Italy