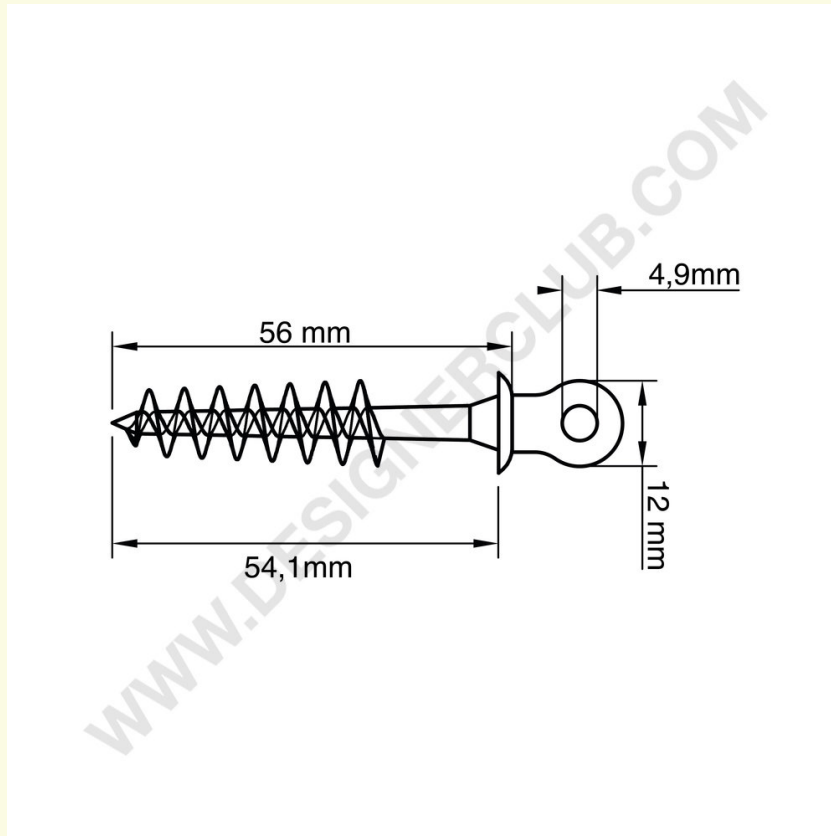


# Datasheet

**REF: 116 242**

**Honeycomb board screw with loop hook**

Honeycomb board screw mm. 55 + 17, thread diameter mm. 11.



+39 0332 455 360      [www.designerclub.com](http://www.designerclub.com)      [commerciale@designerclub.com](mailto:commerciale@designerclub.com)  
Designer Club S.R.L. Via 2 Giugno 28, 21022, Azzate (VA) , Italy