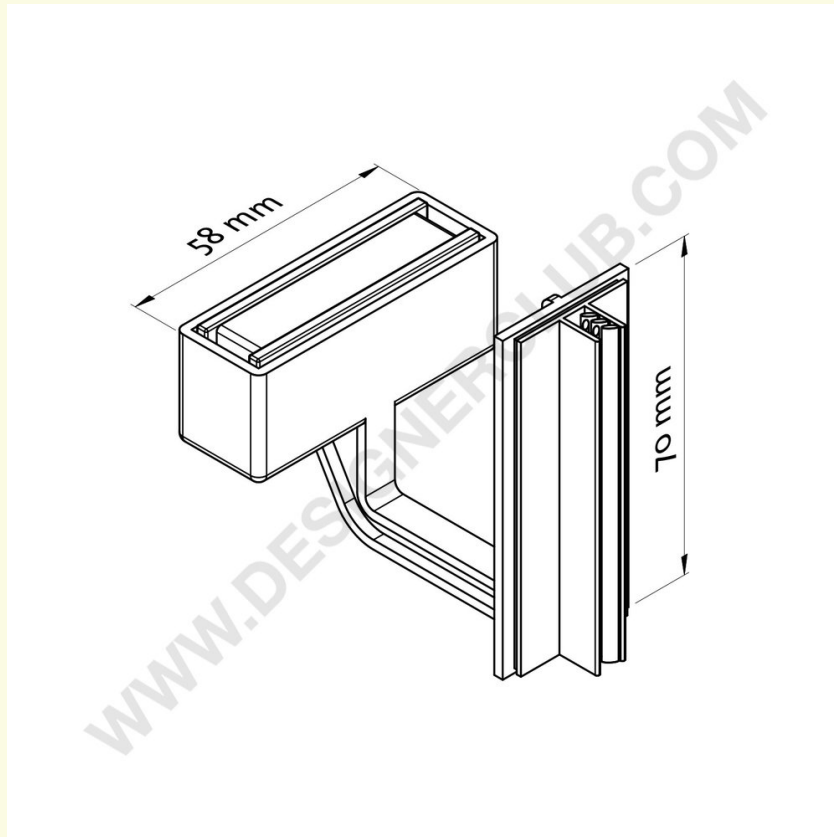


# Datasheet

**REF: 409 227**  
**Sign holder with gripper**

Magnetic sign holder with gripper for panel thickness max 3 mm.  
For metal wall.



+39 0332 455 360      [www.designerclub.com](http://www.designerclub.com)      [commerciale@designerclub.com](mailto:commerciale@designerclub.com)  
Designer Club S.R.L. Via 2 Giugno 28, 21022, Azzate (VA) , Italy