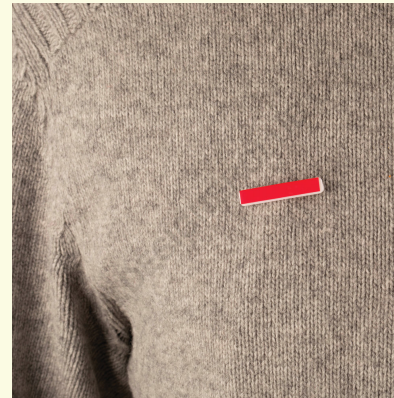
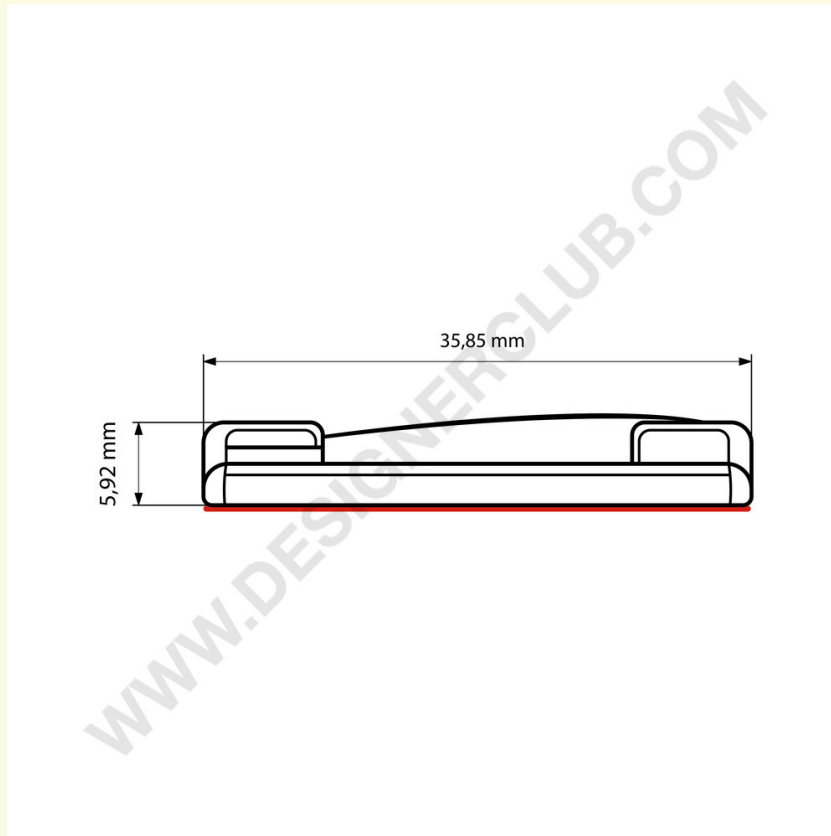


Datasheet

REF: 111 711
Pin whit adhesive base mm 36 x 7

Pin with adhesive base 36 x 7 mm. To be applied to a badge holder or directly on cardboard.



+39 0332 455 360 www.designerclub.com commerciale@designerclub.com
Designer Club S.R.L. Via 2 Giugno 28, 21022, Azzate (VA), Italy