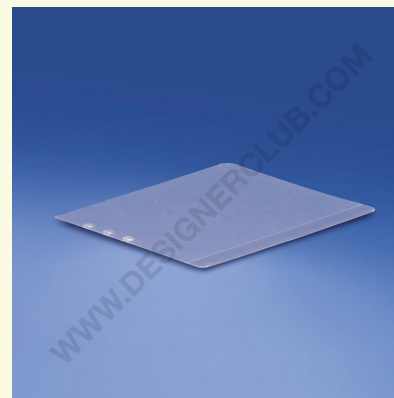
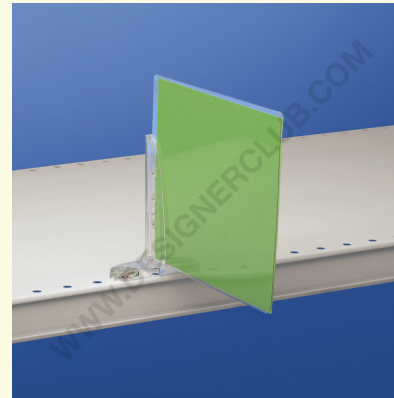
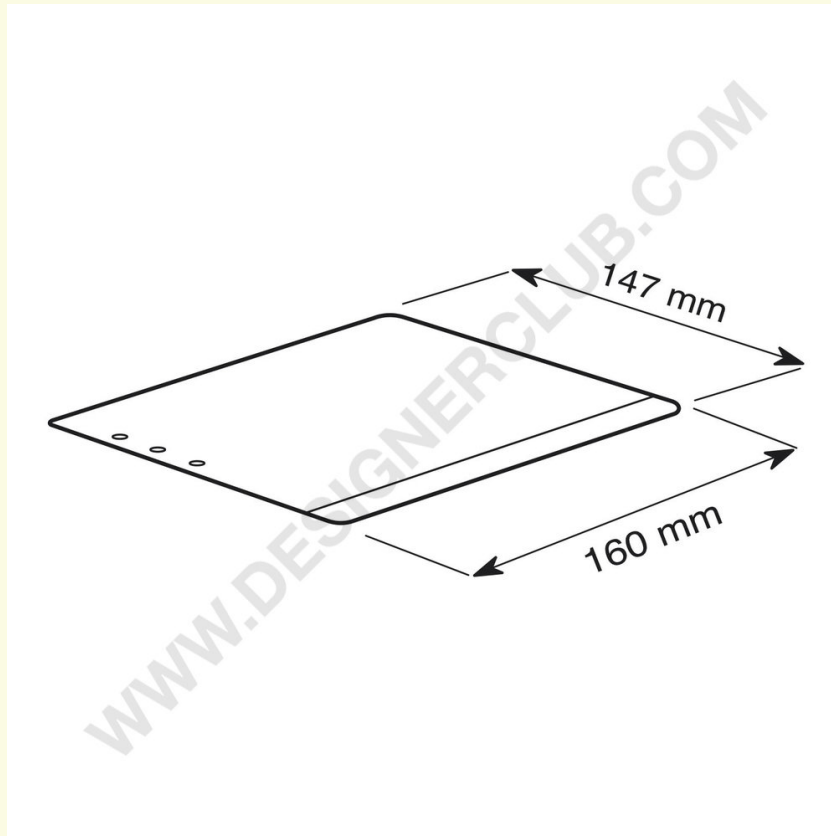


Datasheet

REF: 407 091

Sign holder sleeve for shark foot 150 x 145 mm.

Clear PVC sign holder sleeve with 3 holes can be placed on shark foot, for signs with sizes of 150x145 mm.



+39 0332 455 360 www.designerclub.com commerciale@designerclub.com
Designer Club S.R.L. Via 2 Giugno 28, 21022, Azzate (VA), Italy