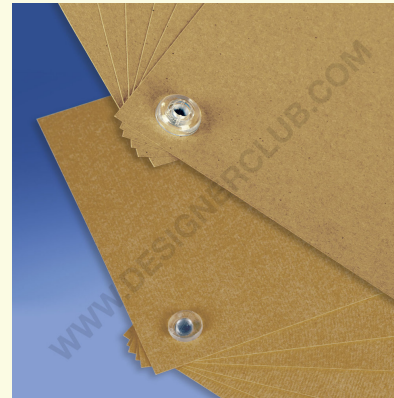
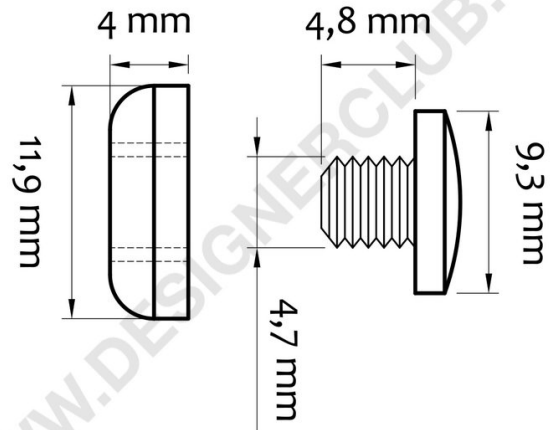


Datasheet

REF: 116 180

Push rivet Ø mm. 9 thickness between mm. 0,5 - 1,5 clear

Clear push rivet Ø 9 to assemble between 0,5 and 1,5 mm.



+39 0332 455 360 www.designerclub.com commerciale@designerclub.com
Designer Club S.R.L. Via 2 Giugno 28, 21022, Azzate (VA) , Italy