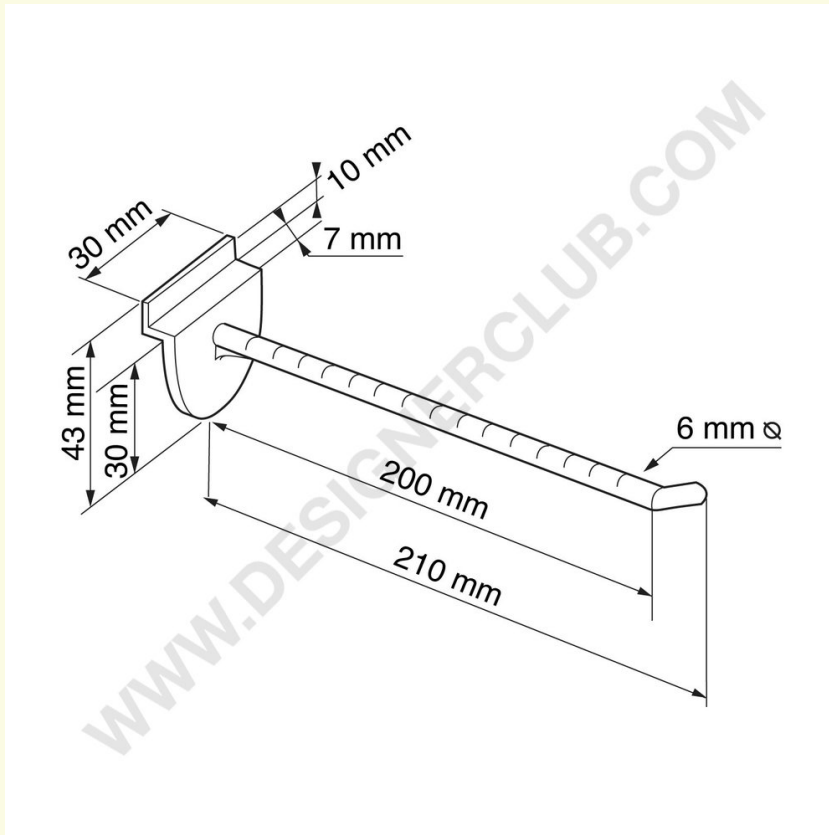


# Datasheet

**REF: 113 168**

Single prong transparent for slatwall 200 mm.

Single prong transparent with slatwall clip mm. 200.



+39 0332 455 360    [www.designerclub.com](http://www.designerclub.com)    [commerciale@designerclub.com](mailto:commerciale@designerclub.com)  
Designer Club S.R.L. Via 2 Giugno 28, 21022, Azzate (VA) , Italy

Designer Club reserves the right to change specifications and dimensions of products without notice, except for errors or omissions. Copyright Designer Club s.r.l. 2023.