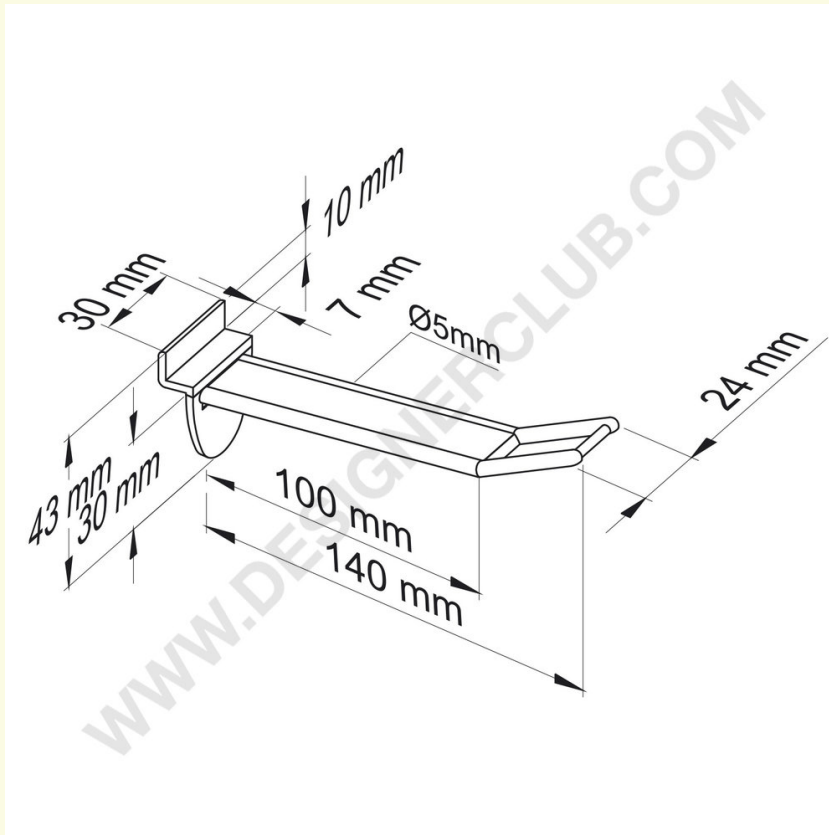


# Datasheet

**REF: 142 831**

**Wire reinforced slatwall prong black with big price holder mm. 100**

Wire reinforced slatwall prong black with big price holder, length mm. 100.



+39 0332 455 360      [www.designerclub.com](http://www.designerclub.com)      [commerciale@designerclub.com](mailto:commerciale@designerclub.com)  
Designer Club S.R.L. Via 2 Giugno 28, 21022, Azzate (VA) , Italy

Designer Club reserves the right to change specifications and dimensions of products without notice, except for errors or omissions. Copyright Designer Club s.r.l. 2023.