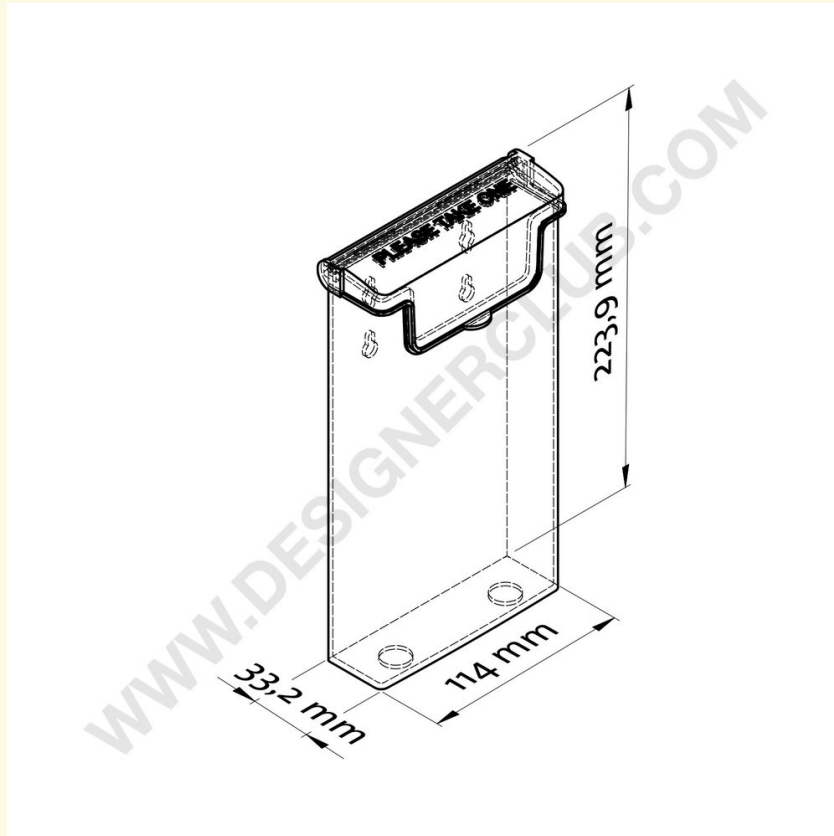


Fiche technique

REF: 114 274
Porte-brochure extérieur 1/3 A4

Porte-brochure extérieur 1/3 A4. Dimensions utiles 110 x 32 mm. (Conditionnement x 20).



+39 0332 455 360 www.designerclub.com commerciale@designerclub.com
Designer Club S.R.L. Via 2 Giugno 28, 21022, Azzate (VA) , Italy