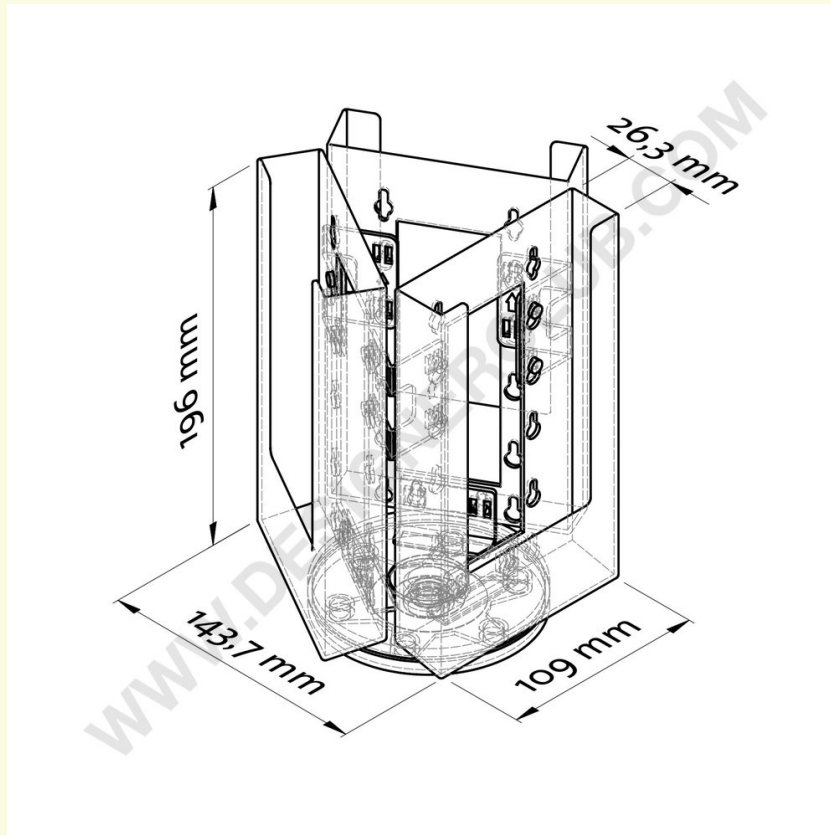


## Fiche technique

**REF: 114 330**  
**Porte-brochure rotatif 1/3 A4 - 3 bacs**

Porte-brochure rotatif 1/3 A4, 3 bacs. Dimensions utiles 103 x 32 mm.



+39 0332 455 360      [www.designerclub.com](http://www.designerclub.com)      [commerciale@designerclub.com](mailto:commerciale@designerclub.com)  
Designer Club S.R.L. Via 2 Giugno 28, 21022, Azzate (VA) , Italy